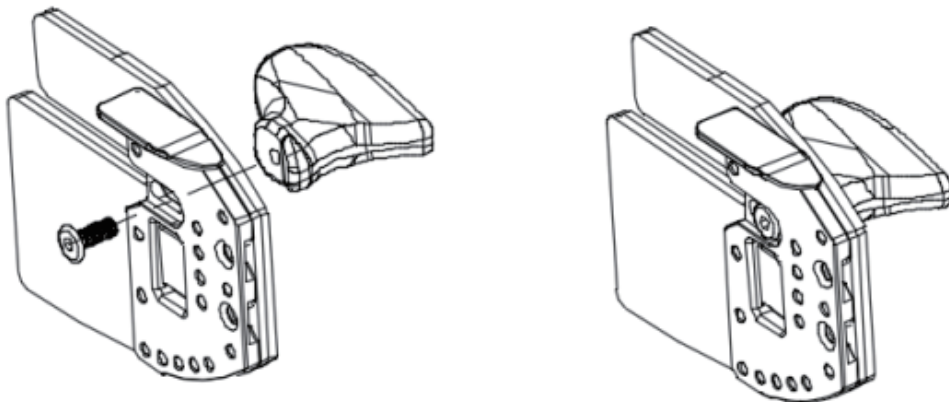


---

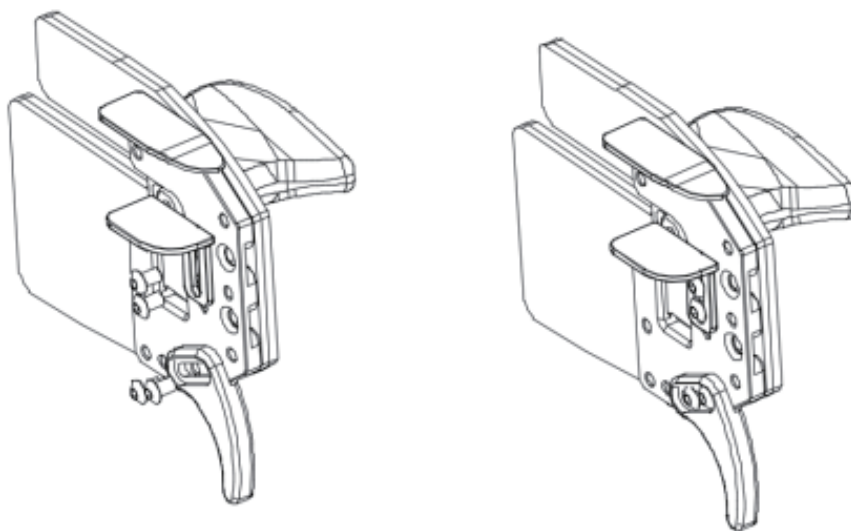
# STELLAR TAB MANUAL

Stellar finger tab is a professional archery product launched by KIS brand, which is suitable for archery shooters of all ages. According to the different characteristics of junior, middle and senior shooters, Stellar perfectly solves the different use requirements of shooters at all levels for professional tab products. Three finger tab forms are freely switched and nine finger tab positions are adjusted. It is an innovative finger tab.

## 1. Assembly drawing of Stellar finger tab parts

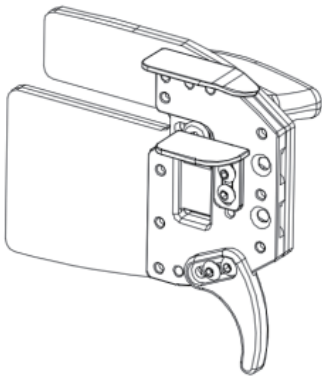


( finger spacer installation )

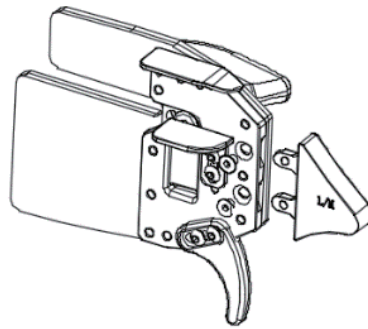


( bracket and finger hook installation )

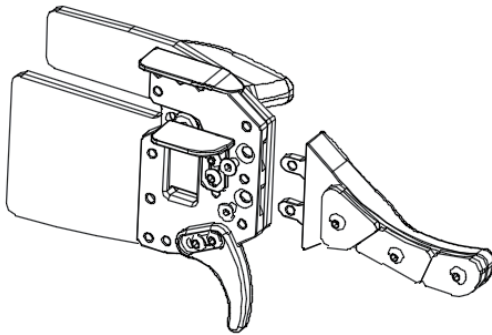
2. The Stellar finger tab can switching of three shapes, and the shooter can assemble a shape satisfactory to himself for use (as shown in Figures 1, 2 and 3 below).



(1)

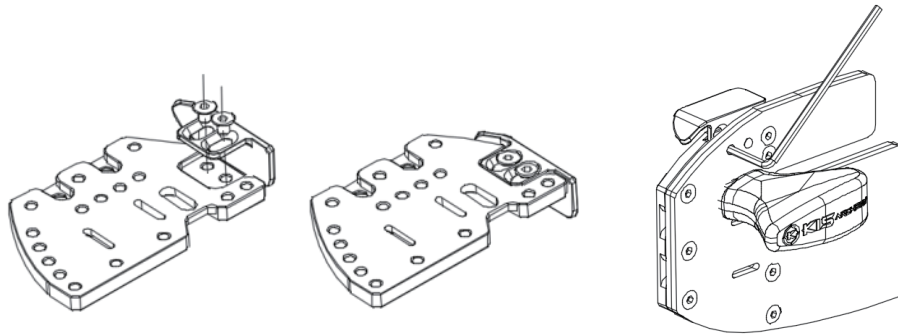


(2)

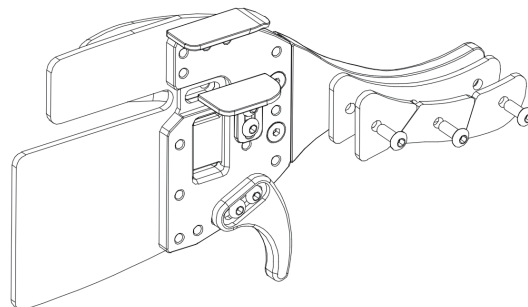


(3)

3. The height of the gill supporting gill can be adjusted up and down or removed according to personal habits. (as shown in the figure below)



4. The counterweight system adjustment of stellar finger tab, which consists of one large and three small parts. The weight distribution and the center of gravity of the lever can be adjusted, It can reduce the s track of the bow string and reduce the phenomenon that the string touches the arm, Several characteristics of stellar finger tab are to obtain clearer release speed, more consistent arrow plunger thrust, initial speed and rear hand release route.



(Tail counterweight adjustable)

The adjustment of Stellar finger tab is limited to obtaining a more comfortable hand feel and better showing the consistency and stability of the arrow at the moment of shooting. Of course, the shooter is more important!

### Attention notes:

1. Please store it in a dry environment with appropriate temperature when it is not in use.
2. If the finger tab leather is broken, please replace the leather surface in time to ensure the normal use of tab.
3. Please store unused parts of tab products to avoid loss.